

Deluxe Table Easel™ - 160 Series



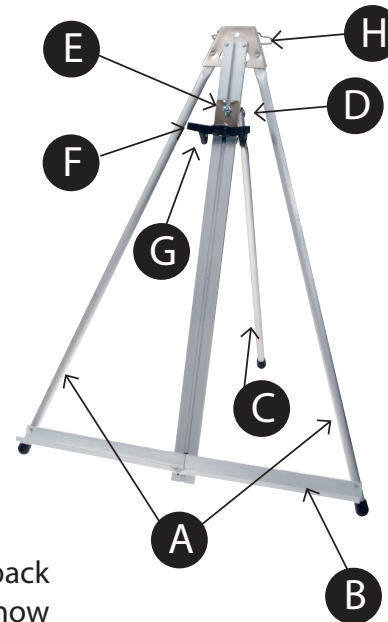
TO OPEN: Spread apart two front legs (A) and press down on shelf (B). Move back leg (C) away from front of easel. To adjust back leg (C) loosen wing nut (D), now back leg can come forward or backward.

TO INSERT CANVAS: Place canvas into shelf, (B) and loosen wing nut (E) of the top AUTO-LOCK (F). Push AUTO-LOCK (F) up and higher than the canvas, squeeze ears (G) of AUTO-LOCK together and lower onto top of canvas. Release ears (G) and AUTO-LOCK holds canvas. Tighten wing nut (E).

FOR WATER COLORS: You want the easel to lay flat as possible as in illustration. To achieve this just loosen the wing nut (D) of back leg (C). Lay unit down on table so that it rests on short red plastic button. For maximum support, push the short back leg back (away from shelf) as far as it will go.

CARRYING YOUR WET CANVAS: Is easily accomplished by means of handle (H). Just leave your wet canvas in place on easel and fold back leg (C).

ASSEMBLY IS COMPLETE! ENJOY...



SPECIAL FEATURES:

- Accommodates Panels or Stretched Canvases.
- Holds the smallest miniature canvases.
- ADJUSTABLE back leg, opens to any angle.
- Aluminum 1/2" corrugated tubing legs, rubber tipped, hinged shelf.
- Opens Instantly.
- Snaps Closed.
- Aluminum Shelf.
- Extra Support Brackets.

Weight: 1 lb. 3oz.